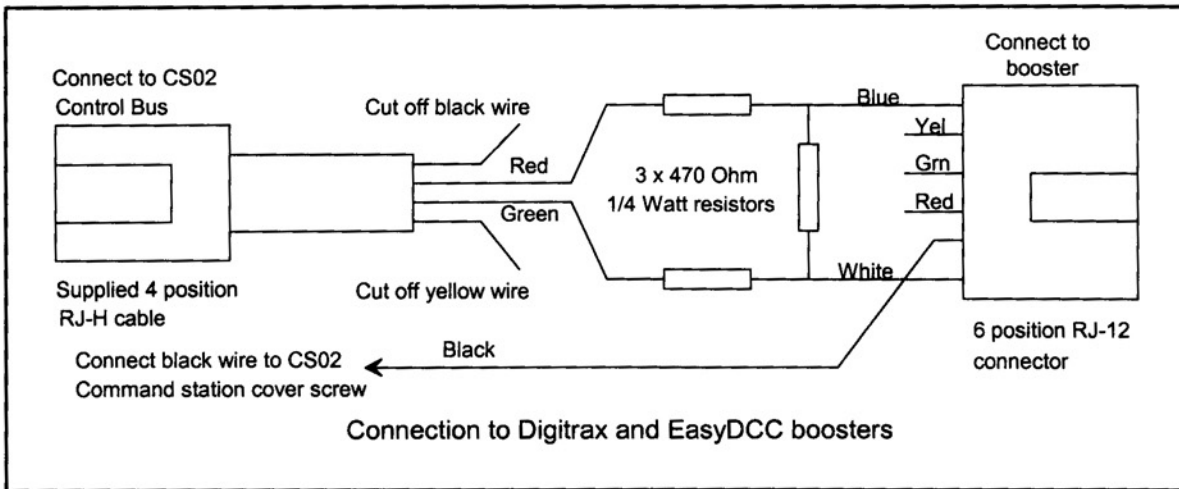




Thank you for purchasing our PH-0 Competitive upgrade package. We have included our standard Powerhouse Pro user's manual. This manual contains references to the internal power booster of the PH-Pro that do not apply to the CS02 command station. Please ignore these references. We have included connection information (below) to most popular power boosters.



Note: With Digitrax or EasyDCC installations you only need the resistors to the first booster. You can then 'daisy chain' from booster to booster. The resistors are only needed to ensure that the mainline shuts down when the programming track is in use, otherwise programming commands will be sent to the boosters programming all locos on the mainline. The resistors can be eliminated if you just want to do a quick hook up for testing purposes.

