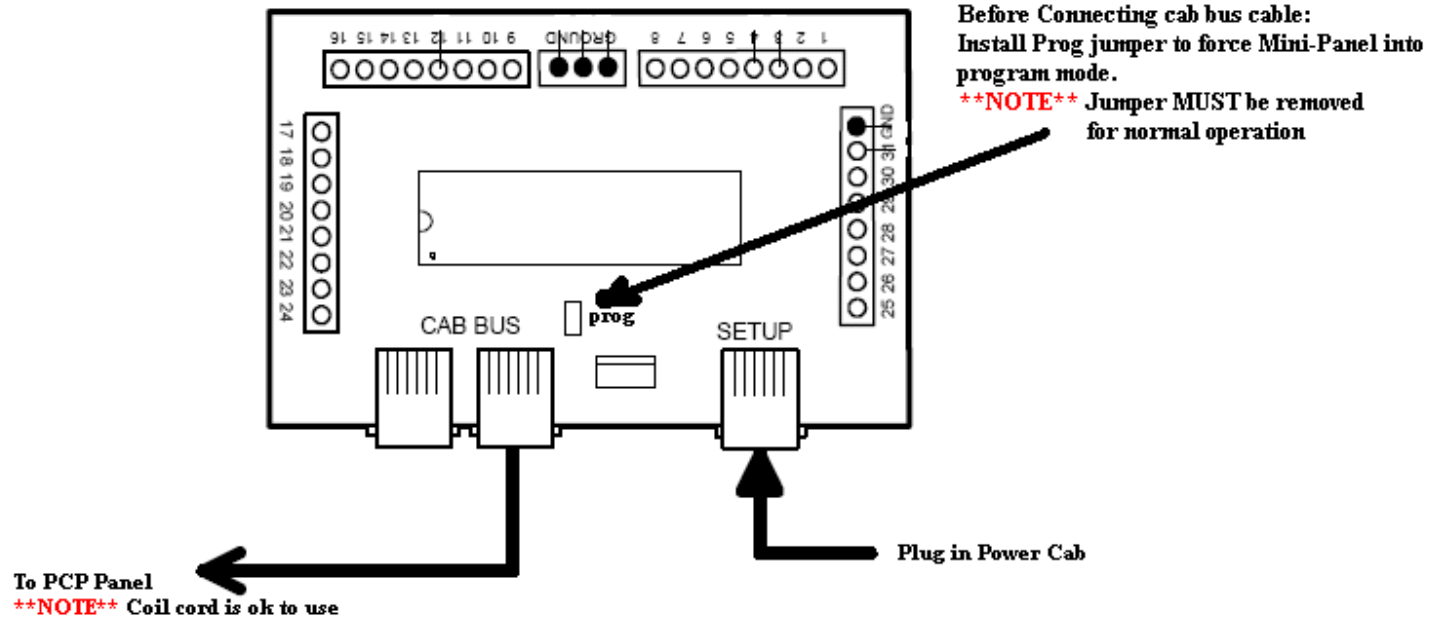


Using Mini-Panel With ONLY a Power Cab



With every thing connected correctly, Plug cab bus cable in and after a few seconds you should see this

```
NCE MINI-PANEL  
VERSION 1.00
```

Press enter to get this screen and follow the instructions

```
1=SETUP 2=MACRO  
3=TEST OPERATION
```

****NOTE****
When setup is complete:
*Remove Cab Bus
*Remove Prog jumper
*Remove Power Cab from setup port
and connect everything back through PCP Panel