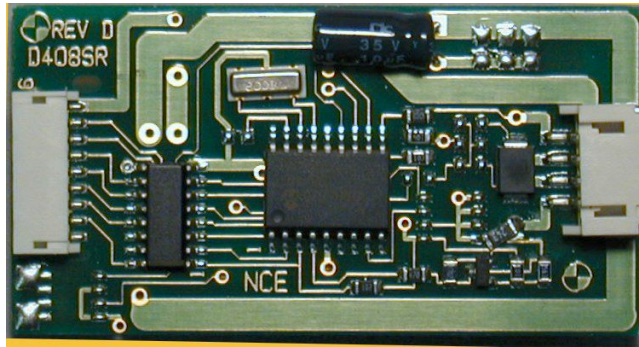


NCE

The Power of DCC

ATLO

Plug in Decoder



Decoder version 3.5

\$49.95

Simple plug-in for most Atlas-O locomotives plus locomotives from Weaver and others with the 'dog bone' shaped circuit board

This is an EPF (extended packet format) decoder supporting:

- ✓ Silent Running™ High frequency motor drive eliminates motor hum or buzz
- ✓ Torque Compensation for ultra smooth low speed performance
- ✓ Programmable Start, Mid and Maximum speed works for all speed modes
- ✓ 6 lighting “function” outputs - each rated at ½ Amp.
- ✓ Select from 15 different lighting effects (Mars, strobes, beacons, flicker, etc)
- ✓ Two or Four digit addressing
- ✓ Uploadable speed table interpolated to 128 speed steps
- ✓ 28 and 128 Speed mode operation (always works internally at 256 steps)
- ✓ Decoder assisted consist
- ✓ Supports all forms of DCC programming
- ✓ New decoder programming ‘lock’ mechanism



05240141

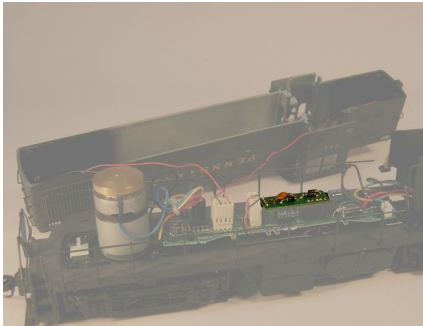
Every attempt has been made to ensure this decoder complies with all applicable MRA Standards and Recommended Practices. Web site: www.ncedcc.com

This book, schematics and artwork copyright 2006
NCE Corporation Webster, NY 14580

Decoder Installation Notes:

1. The first task is to remove the body shell of the diesel or open the tender if you are installing in a steam locomotive. Most body shells are secured to the frame by multiple screws. Finding ALL of these screws is not always easy. The Atlas RS1 that we used for the photos below had 6 screws, 2 at each end and two under the cab.

2. Locate the small (1-1/2" x 5/8" - it is highlighted in the photo below) diode circuit board plugged into the main locomotive circuit board. This circuit board unplugs by lifting it straight up from the main board.



Diode board location

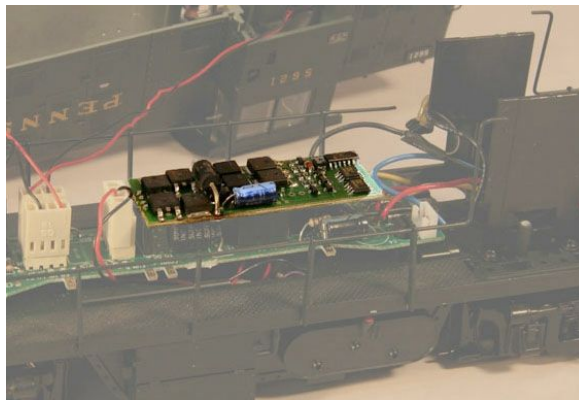
Before test running your newly converted locomotive on full power double check your wiring to make sure there are no pinched or broken wires. We see many decoders returned due to wires getting pinched between the body shell and frame causing shorts.

Always test your decoder installation on a current limited programming track before trying it on full track power.

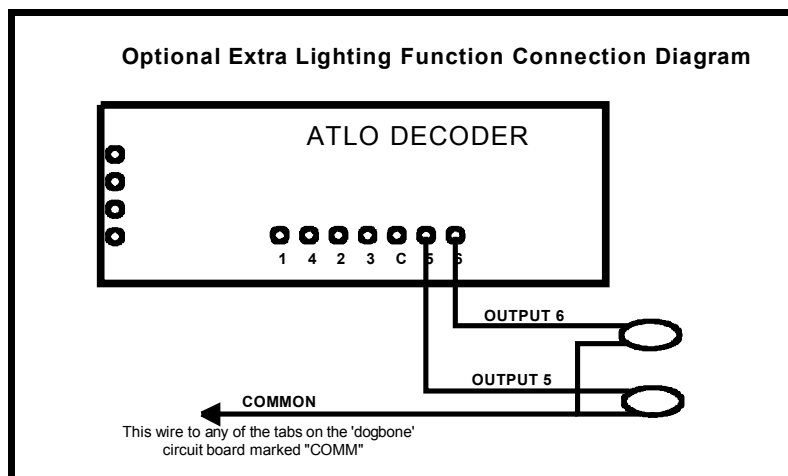
Analog operation is included in NCE decoders so you will be able to run on conventional DC layouts without having to remove the decoder or rewire your locomotive. The decoders should be driven by a good quality smooth DC power unit. Power packs with pulse power systems such as "tracking control", etc. may give unpredictable operation.

3. The ATLO decoder plugs in where you removed the diode circuit board.

4. This completes the installation of the ATLO. We suggest just placing the body shell back on the frame without installing the screws until you test the installation. When you are satisfied that the lights work and the locomotive runs then replace the screws.



Decoder installed



Fine tuning locomotive operation

The factory settings normally provide good performance for most locomotives in HO-Scale. You may want to improve or fine tune performance by adjust the starting characteristics or top speed .

There are 6 CVs that define:

The voltage at which the motor starts.

How often and how hard the motor gets kicked a slow speeds to keep it turning smoothly.

The maximum motor speed.

The mid speed range response characteristics or 'speed curve'.

Compensation for a motor that runs faster in one direction .

Start Voltage - CV2 (Vstart):

This is the amount of voltage sent to the motor when first starting up. We set CV2 so the locomotive is **almost** able to maintain movement at speed step 1. We then use CV116 and 117 to apply enough torque compensation to keep it turning on speed step 1. Typical values for CV2 are in the range of 0-35. For the Atlas RS1 we used 0.

Torque compensation kick rate - CV116:

How *frequently* the motor is 'kicked' at slow speed. Typical adjustment is 2 to 4. The smaller the number the more often the motor gets a brief voltage 'kick'. Factory default is 0 (off). A value of 1 applies kicks continuously. The maximum practical value is about 6. For the Atlas RS1 we used 3.

Torque compensation kick strength - CV117:

How *hard* the motor is 'kicked' at slow speed. Typical adjustment is 4 to 25. The larger the number the more voltage is applied in each 'kick'. The strength of these kicks fade out ratio metrically as speed is increased providing a smooth transition to normal motor operation. Factory default is 0 (off), usable range 0-50. For the Atlas RS1 we used 50.

Vmax - CV5: If your locomotive runs too fast you can use CV5 to lower its maximum speed.

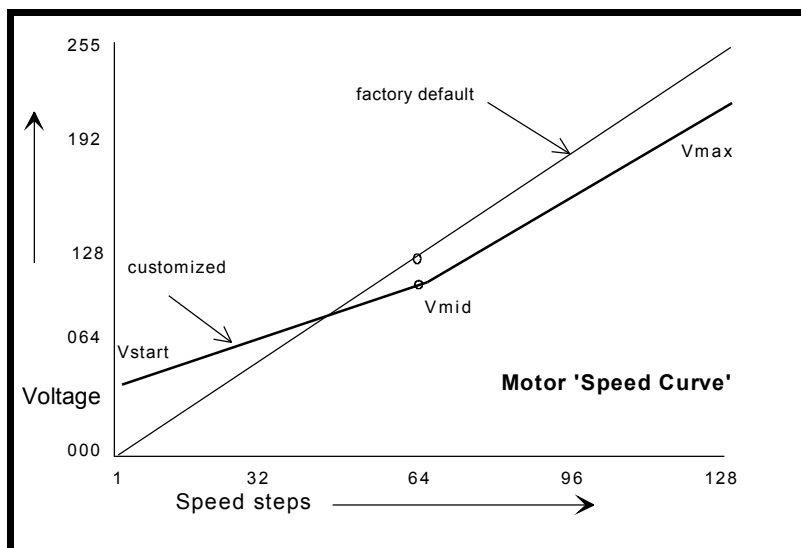
Setting CV5 to 255 uses the maximum possible voltage to run the motor when full speed is requested. Set CV5 to a smaller value to reduce the top speed. A value of 128 will yield approximately ½ full voltage to the motor at top speed. 192 will provide about ¾ full voltage. All speeds from the middle speed step to the maximum will be proportionally reduced (see diagram). If CV5 is set to 0 the decoder will use 255 for maximum speed. Always make sure CV5 is greater than CV6 to avoid erratic operation. For the Atlas RS1 we used 180.

Vmid - CV6: CV6 determines how the motor responds through its middle speed ranges to advancement of the throttle. If you set CV6 lower than half the maximum speed you'll have smaller increases in motor speed through the lower speed ranges. Then, as you hit the upper speed ranges there will be larger increases between speed steps. In the diagram below you can see this best illustrated by the 'customized' line. If you set Vstart larger than 0 you'll most likely want to raise Vmid so a reasonable slope is maintained in the 'speed curve'. If CV6 is set to 0 the decoder will use 127 as the value. If you use high values in CV117 you will want to increase CV6 by a proportional amount to keep a smooth acceleration curve. For the Atlas RS1 we used 100. ...

Reverse trim (also forward trim) - CV95:

Values from 1-127 make decoder run **faster in reverse** than forward. 1 is one speed step faster in reverse, 2 is two steps faster, etc.

Values from 129-255 make decoder run **faster in forward** than reverse. 129 is one speed step faster in forward, 130 is 2 speed steps faster, etc. 0 and 128 add nothing to either direction .



Factory default values for decoder Configuration Variables (CVs)

CV	Default value		Description	CV	Default value		Description
	decimal	hex			decimal	hex	
1	3	03	short address	74	0	0	alt spd table step 8
2	0	00	start voltage	75	0	0	alt spd table step 9
3	0	00	acceleration	76	0	0	alt spd table step 10
4	0	00	deceleration	77	0	0	alt spd table step 11
5	0	00	Maximum speed	78	0	0	alt spd table step 12
6	0	00	Mid speed	79	0	0	alt spd table step 13
17	192	C0	long address high byte	80	0	0	alt spd table step 14
18	0	00	long address low byte	81	0	0	alt spd table step 15
19	0	00	consist address	82	0	0	alt spd table step 16
21	255	FF	consist functions F1-F8	83	0	0	alt spd table step 17
22	63	3F	consist function FLF,FLR	84	0	0	alt spd table step 18
23	0	00	acceleration adjust	85	0	0	alt spd table step 19
24	0	00	deceleration adjust	86	0	0	alt spd table step 20
29	2	02	decoder configuration	87	0	0	alt spd table step 21
30	0	00	reset register	88	0	0	alt spd table step 22
33	1	01	Output(s) controlled by F0	89	0	0	alt spd table step 23
34	64	20	Output(s) controlled by F0	90	0	0	alt spd table step 24
35	2	02	Output(s) controlled by F1	91	0	0	alt spd table step 25
36	4	04	Output(s) controlled by F2	92	0	0	alt spd table step 26
37	8	8	Output(s) controlled by F3	93	0	0	alt spd table step 27
38	2	02	Output(s) controlled by F4	94	0	0	alt spd table step 28
39	4	04	Output(s) controlled by F5	95	0	0	Reverse trim
40	16	10	Output(s) controlled by F6	116	0	0	Kick rate
41	4	04	Output(s) controlled by F7	117	0	0	Kick strength
42	0	0	Output(s) controlled by F8	118	20	14	Ditch light hold time
43	0	0	Output(s) controlled by F9	119	255	FF	EFX page access
44	0	0	Output(s) controlled by F10	120	1	01	Output 1 EFX generator
45	0	0	Output(s) controlled by F11	121	0	02	Output 2 EFX generator
46	0	0	Output(s) controlled by F12	122	0	00	Output 3 EFX generator
67	0	0	alt spd table step 1	123	0	00	Output 4 EFX generator
68	0	0	alt spd table step 2	124	0	00	Output 5 EFX generator
69	0	0	alt spd table step 3	125	0	00	Output 6 EFX generator
70	0	0	alt spd table step 4	126	64	40	Output 7 EFX generator
71	0	0	alt spd table step 5	127	0	00	Output 8 EFX generator
72	0	0	alt spd table step 6				
73	0	0	alt spd table step 7				

Table of commonly used values for CV29

Value for CV29	Long/Short Address	Uploadable/Factory Speed table	Analog (DC) operation	Speed mode
0	Short	Factory	no	28/128
6	Short	Factory	yes	28/128
18	Short	Uploadable	no	28/128
22	Short	Uploadable	yes	28/128
34	Long	Factory	no	28/128
38	Long	Factory	yes	28/128
50	Long	Uploadable	no	28/128
54	Long	Uploadable	yes	28/128

Notes:

If you want to reverse the direction of travel on DCC increase the value for CV29 by one (this also reverses all directional lighting).

If you want to reverse the DC direction reverse the track pickup wires.

Configuration Variables used by V3.5 Decoders

- CV1** Short decoder address; 1-127 valid
CV2 Start Voltage (useful range 0-100)
CV3 Acceleration rate (each unit = 7mS between speed steps) 255 max.
CV4 Deceleration rate (each unit = 7mS between speed steps) 255 max.
CV5 Vmax, speed at highest speed step. 0=use factory default of 255
CV6 Vmid, speed (on a scale of 1-255) at speed step 7,14,or 63. 0=use default of 127
CV7 Decoder version number. This decoder is 35 which means version 3.5
CV8 Manufacturer ID. NCE = 11 (0B hex)
CV11 Packet time-out value (in ½ second increments) Time the decoder will wait before braking to a stop after running into a section of track with DC power. 0=Don't brake
CV15 Decoder programming lock "KEY". This CV is always programmable even when "locked"
CV16 Decoder programming lock ID. When CV15=CV16, programming is unlocked and the decoder will respond to programming commands. If CV15 is not equal to CV16 then decoder programming is locked and it will not program (except CV15) or read.
CV17 High byte of long (4 digit) address
- bit 6,7 always= 1
- bits 0-5 are upper 6 bits of address
CV18 Low byte of long (4 digit) address
CV19 Consist address. (0 or 128 = no consist active)
- bits 0-6 short consist address (1-127 valid)
- bit 7 0= direction is normal, 1= direction is reversed
CV21 Functions active in consist mode. Bit 0 controls F1, bit 1=F2, bit 2=F3, etc.
- bit 0 - 1=function can be controlled at consist address, 0 = no consist control
CV22 Functions active in consist mode. Bits 0,1 control FLF and FLR respectively
each bit 1=function can be controlled at consist address, 0 = no consist control
CV29
- bit 0 1= direction of operation is reversed, 0= direction is normal
- bit 1 1=28 speed mode (always enabled)
- bit 2 1= analog operation mode enabled, 0 = disabled
- bit 4 1= alternate speed table active, 0= use table defined by CV2,5,6
- bit 5 1= use long address in CV17/18, 0= use short address CV1
- bits 3,6,7 are ignored by the decoder
CV30 Set this CV to 2 **on the programming track** and the decoder will reset to factory settings.
CV33-CV46 function mapping CVs for F0-F12
CV67-CV94 Uploadable speed table steps 1-28 (128 speed mode calculates intermediate steps)
CV95 Reverse trim, values 1-127 add to reverse speed, values 129-255 add to forward speed
CV116 Torque kick rate - number of 16 ms periods in a row that motor is 'kicked' with voltage pulse
CV117 Torque kick strength - how much voltage is used to kick the motor at slow speeds. Reduces to 0 as speed is increased.
CV118 Ditch light hold time (in ¼ second increments) after F2 goes off.
CV120-CV128 Effects configuration registers for outputs 1-8

CV NOTES: All CV numbers not listed above are ignored.
This decoder supports all DCC programming methods.

Formula for computing the long address if using a Lenz System:

If using a Lenz SET01, SET02, SET90, SET100 or other entry level system, use paged programming mode and see the note below for programming long addresses.

CV17 = 192 + (the whole number portion of the long address divided by 256)

CV18 = the remainder of the long address divided by 256

CV29 = 34 if analog mode disabled, 38 if analog mode enabled

Decoder Warranty

This decoder is fully factory tested and warranted against manufacturing defects for a period of 1 year. As the circumstances under which this decoder is installed can not be controlled, failure of the decoder due to installation problems can not be warranted. This includes misuse, miswiring, operation under loads beyond the design range of the decoder or short circuits in the locomotive manufacturer's factory wiring. If the decoder fails for non-warranted reasons NCE will replace D408 decoders, no questions asked, for \$25 US plus \$2 shipping. For warranty or non-warranty replacement send the decoder (and any payment, if required) to:

NCE Warranty Center
899 Ridge Road
Webster, New York 14580



The terms Silent Running, Powerhouse Pro, Power Pro, Powerhouse Digital Command Control, ProCab, Smartcab, Switch-It, Snap-It, the NCE logo with "Power of DCC" slogan and EFX are trademarks of NCE Corporation. Digitrax is a trademark of Digitrax Inc.