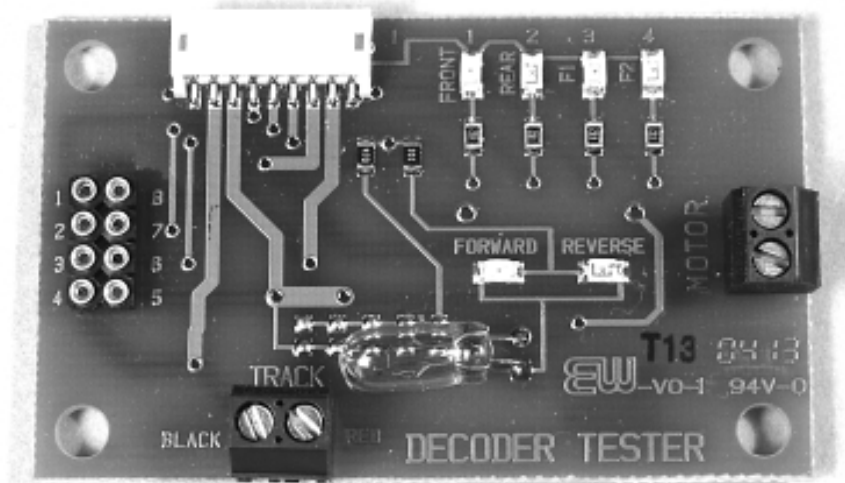




DTK

DCC Decoder Test Kit



\$24.95

- Perfect Companion to DCC Installation and Operation
- Works with ANY DCC Decoder
- Test Track Power
- Program without the Decoder in the Engine
- Indicator Lights for Motor Forward and Reverse
- Indicator Lights for Functions 0F, 0R, 1, and 2
- Can Test Accessory Decoders
- Add an Optional Motor for under load Testing

899 Ridge Road • Webster, NY 14580 • (585) 671-0370 • ncedcc.com
DTK Rev. A

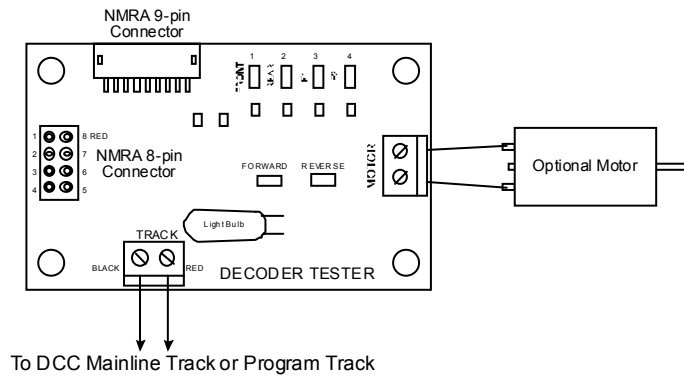


Figure 1

Connect the decoder to the tester using either the 8-pin connector, the 9-pin connector, or use one of the two wire harnesses included with your kit.

Attach leads to the Black and Red track connection screw terminals. Attach the opposite ends of these wires to your track. You can also use the tester to program by connecting the leads to the program outputs.

Use your cab to operate the decoder.

You can also use the Decoder Tester to test and program your Accessory Decoders. Hook up the 9-pin harness as in Figure 2 or 3. Figure 2 is to connect an accessory decoder that operates a switch machine such as Tortoise or Kato which are two wire machines. Figure 3 is to connect an accessory decoder that has a positive (+) common to the switch machine.

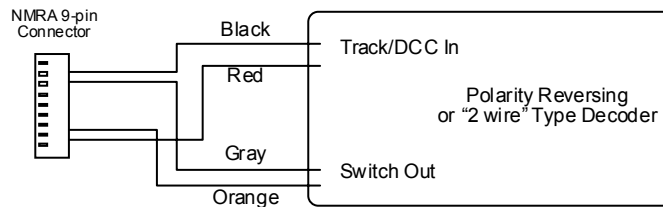


Figure 2

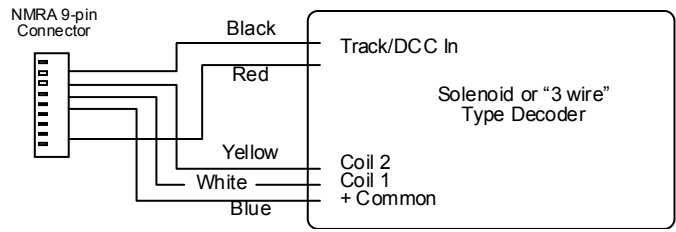
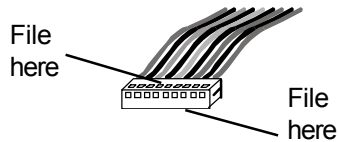


Figure 3

Useful additions to your Decoder Test Kit:

Alligator or similar leads to connect from the tester to the track and the bare ends of the wire harness to the wire leads of a wire-in decoder.

Radio Shack Part Number 278-1157



File or sand a small amount of plastic from top and bottom of connector

Note: Before using the 9-pin connectors, use sand paper or a small file to take a small amount of plastic off the top and bottom of the 9-pin female connector (green). This will make insertion and withdrawal of the connector easier.

Notes and Precautions:

- Never allow wires to touch each other or anywhere on the tester.
- Always connect the decoder and tester to the program track first to make sure there are no short circuits in the decoder or the hook up.

Accessories for your DCC Railroad

9-9 Harness	Replacement 9-Pin to 9-Pin Harness	4.95
9-S Harness	Replacement 9-Pin Single Ended Harness	2.50
SWITCH-IT	Accessory decoder for two stall motor switch machines	24.95
SNAP-IT	Accessory decoder for one twin coil motor switch machine	19.95
Switch-Kat	Accessory decoder to control one Kato Unitrack remote switch	24.95
EB3	Triple output adjustable (2,3,or 4 Amps) electronic circuit breaker with status LEDs.	54.95
Plug pack	Ten pack of NMRA 8 pin plugs	14.95
LED 10 Pack	Ten pack of Golden White LEDs	15.95

Warranty

This product is fully factory tested and warranted against manufacturing defects for a period of 1 year. As the circumstances under which this product is installed can not be controlled, failure of the product due to installation problems can not be warranted. This includes misuse, miswiring, operation under conditions beyond the design range of the product. No guarantees are expressed or implied as to the suitability of the product for its intended use by the purchaser.

For warranty or non-warranty replacement first call the NCE Technical Group at the phone number below. If it is required, send the unit (and any payment, if needed) to:

NCE Warranty Center
899 Ridge Road
Webster, New York 14580
(585) 671-0370



05240219

This instruction sheet, diagrams, figures, and photographs copyright 2004 -
NCE Corporation, Webster, NY 14580