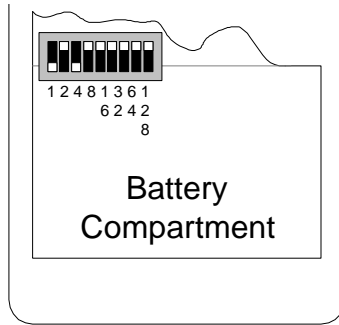


CAB ADDRESS SELECTION NOTE

Just as every locomotive has a separate number (address in DCC terms) each cab needs a separate address so the command station can distinguish one cab from another. Each CAB-02 and CAB-03 is shipped from the factory with the address of 5. If this is not your first CAB-02/CAB-03 you will have to change the address before using the cab. To change this address, turn the Cab over and open the battery cover (for the future radio option). In the upper left hand corner of the opening, under the plastic, is an 8 position DIP switch. Refer to the figure and the table below for address selection. NOTE: up = move the switch toward the top of the CAB, dn = move the switch toward the bottom of the CAB. Also, not all of the addresses are in the table. To calculate the desired address, add the “dn” switches. E.g., Address 25 = 16 + 8 + 1. Switches with the values of 64 & 128 (switches number 7 and 8) should always be up unless the optional radio is installed. See the figure and table on the following page for a chart of setting up cab addresses 1-48.



Back of Basic/Intermediate Cab with battery door open

Address Table NOTE: Switches 7 & 8 are always up

▲ = switch in “up” position

Addr	1	2	4	8	16	32	Addr	1	2	4	8	16	32
1	dn	▲	▲	▲	▲	▲	25	dn	▲	▲	dn	dn	▲
2	▲	dn	▲	▲	▲	▲	26	▲	dn	▲	dn	dn	▲
3	dn	dn	▲	▲	▲	▲	27	dn	dn	▲	dn	dn	▲
4	▲	▲	dn	▲	▲	▲	28	▲	▲	dn	dn	dn	▲
5	dn	▲	dn	▲	▲	▲	29	dn	▲	dn	dn	dn	▲
6	▲	dn	dn	▲	▲	▲	30	▲	dn	dn	dn	dn	▲
7	dn	dn	dn	▲	▲	▲	31	dn	dn	dn	dn	dn	▲
8	▲	▲	▲	dn	▲	▲	32	▲	▲	▲	▲	▲	dn
9	dn	▲	▲	dn	▲	▲	33	dn	▲	▲	▲	▲	dn
10	▲	dn	▲	dn	▲	▲	34	▲	dn	▲	▲	▲	dn
11	dn	dn	▲	dn	▲	▲	35	dn	dn	▲	▲	▲	dn
12	▲	▲	dn	dn	▲	▲	36	▲	▲	dn	▲	▲	dn
13	dn	▲	dn	dn	▲	▲	37	dn	▲	dn	▲	▲	dn
14	▲	dn	dn	dn	▲	▲	38	▲	dn	dn	▲	▲	dn
15	dn	dn	dn	dn	▲	▲	39	dn	dn	dn	▲	▲	dn
16	▲	▲	▲	▲	dn	▲	40	▲	▲	▲	dn	▲	dn
17	dn	▲	▲	▲	dn	▲	41	dn	▲	▲	dn	▲	dn
18	▲	dn	▲	▲	dn	▲	42	▲	dn	▲	dn	▲	dn
19	dn	dn	▲	▲	dn	▲	43	dn	dn	▲	dn	▲	dn
20	▲	▲	dn	▲	dn	▲	44	▲	▲	dn	dn	▲	dn
21	dn	▲	dn	▲	dn	▲	45	dn	▲	dn	dn	▲	dn
22	▲	dn	dn	▲	dn	▲	46	▲	dn	dn	dn	▲	dn
23	dn	dn	dn	▲	dn	▲	47	dn	dn	dn	dn	▲	dn
24	▲	▲	▲	dn	dn	▲	48	▲	▲	▲	▲	▲	dn